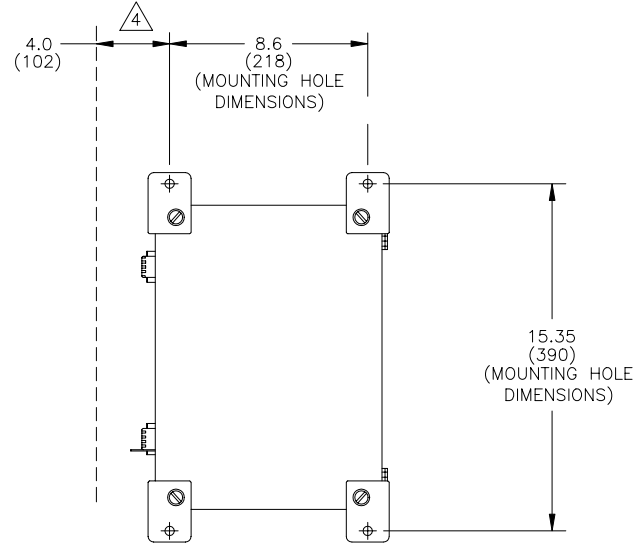
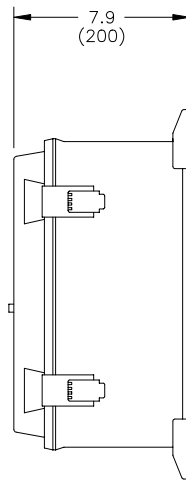
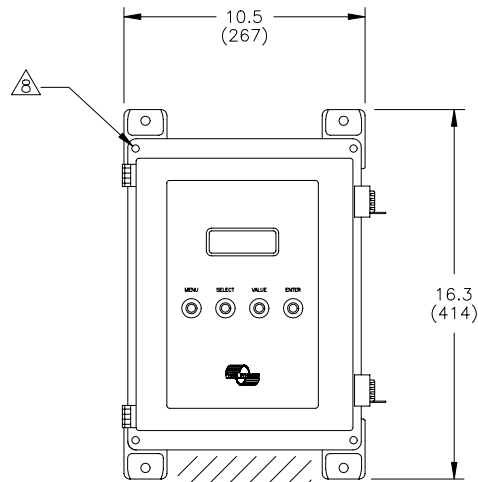
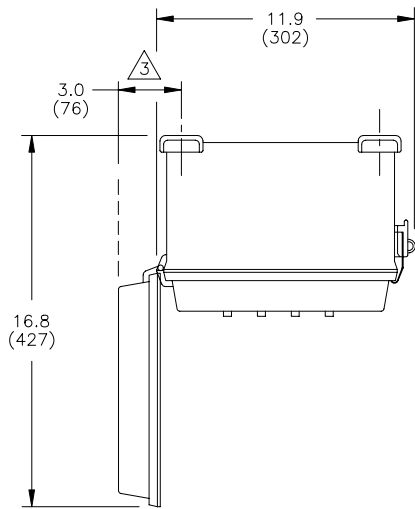



REV	DATE	ECO	COMMENTS
A	02/16/98	117	CHG HINGES, LATCHES 15.35 DIM WAS 15.3
B	01/20/99	131	ADD NOTE 8 TO MEET FM REQUIREMENTS
C	06/04/03	169	ADD METRIC UNITS

NOTES:

1. MOUNT ENCLOSURE WITH .375 DIA (10) BOLTS.
2. WEIGHT: 16 LBS. (7kg)
3. OBJECTS CLOSER THAN 3.0 INCHES (76) MAY PREVENT COVER FROM OPENING FULL 90°
4. OBJECTS CLOSER THAN 4.0 INCHES (102) MAY HINDER LATCH OPERATION.
5. ENCLOSURE IS GRAY MOLDED FIBERGLASS, WINDOW IS 0.125 THICK POLYCARBONATE
6. THREE HOLES LOCATED IN CONDUIT ENTRY AREA ARE 1.06 DIA. (27 DIA)
7. ALL DIMENSIONS ARE GIVEN IN INCHES. MILLIMETER DIMENSIONS SHOWN IN ( )
8. 4 EA #10-32 X 3/4 STAINLESS SCREWS ARE SUPPLIED TO MEET FM REQUIREMENTS. (TORQUE TO 22 INCH LBS)



 <b>PHASE DYNAMICS, INC.</b> RICHARDSON, TEXAS		
TITLE <b>INSTALLATION, NEMA 4X          ENCLOSURE- EXT SWITCHES</b>		
SIZE C	DWG NO. 0070-00037-000	DATE 03/31/92
REV C	© PHASE DYNAMICS, INC.	