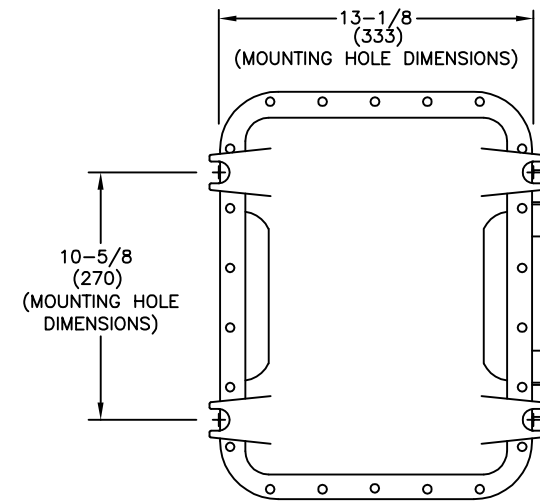
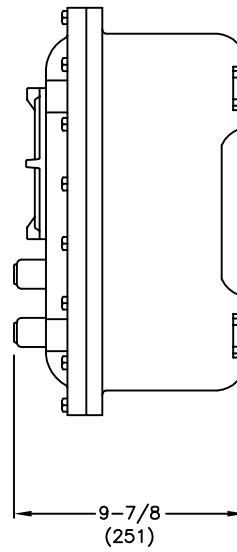
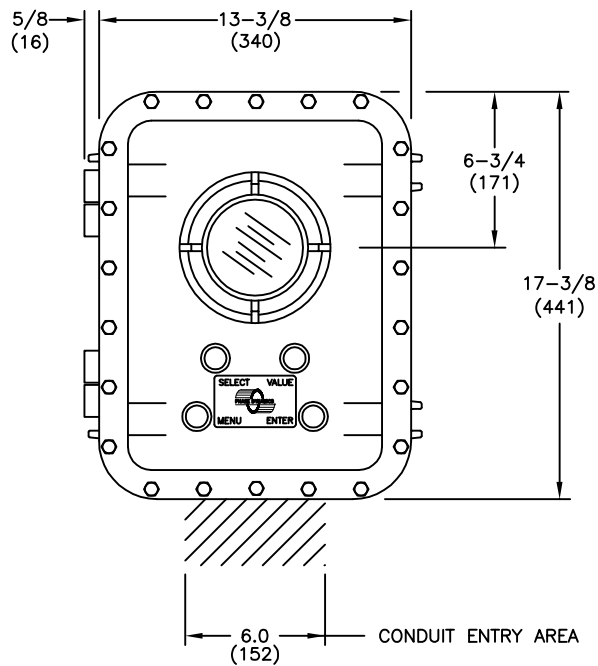
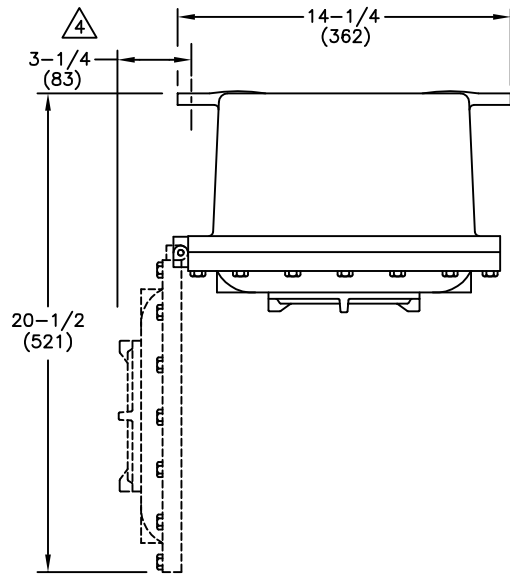


REV	DATE	ECO	COMMENTS
A	11/06/91	2	ADDED 1 CONDUIT ENTRY HOLE
B	06/04/03	169	ADD METRIC UNITS
C	10/31/10	226	INCH DIMS WERE DECIMAL, NOW FRACTIONS

NOTES:

1. MOUNT ENCLOSURE WITH 3/8 DIA (10 mm) BOLTS.
2. WEIGHT: 59 LBS. (27kg)
3. THREE HOLES LOCATED IN CONDUIT ENTRY AREA ARE DRILLED AND TAPPED 0.750-14 NPT.
4. OBJECTS CLOSER THAN 3.3 INCHES MAY PREVENT COVER OPENING FULL 90°.
5. ALL DIMENSIONS ARE GIVEN IN INCHES. MILLIMETER DIMENSIONS SHOWN IN ( ).



<b>PHASE DYNAMICS, INC.</b> RICHARDSON, TEXAS	
<b>TITLE</b> INSTALLATION - EXPLOSION PROOF ENCLOSURE	
<b>SIZE</b> C	<b>DWG NO.</b> 0070-00026-000
<b>REV</b> C	<b>DATE</b> 08/10/91
© PHASE DYNAMICS, INC.	