

4

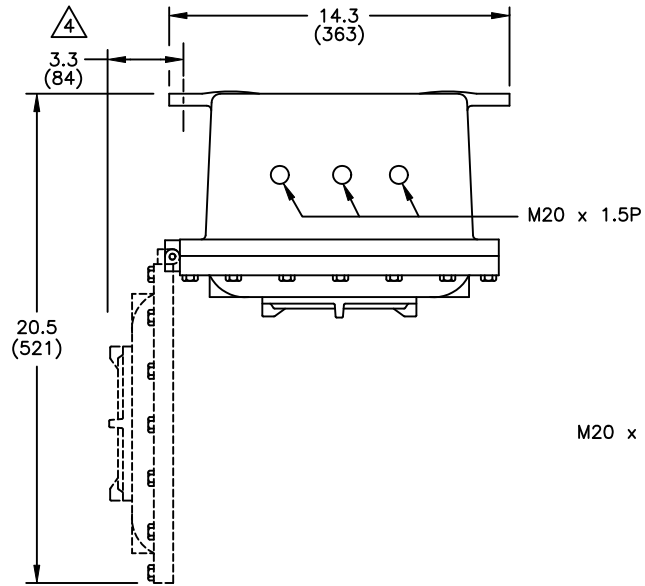
3

2

1

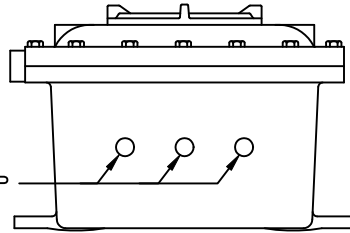
D

D



NOTES:

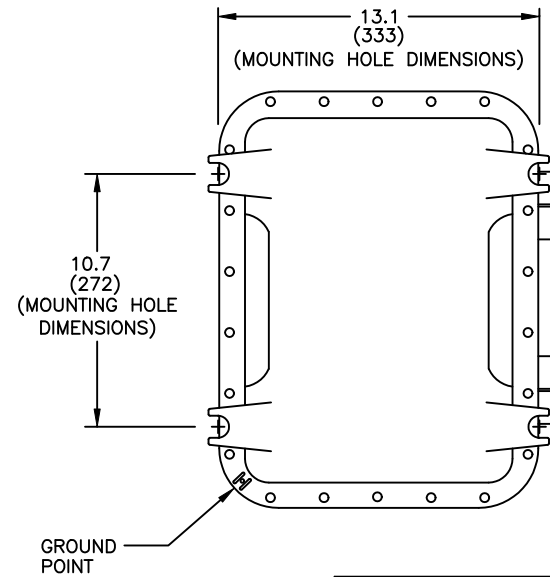
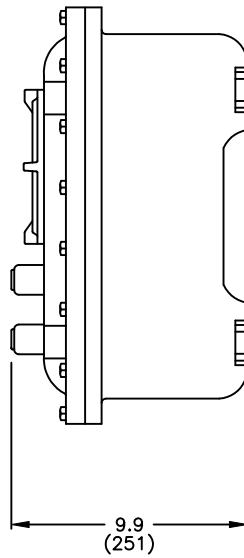
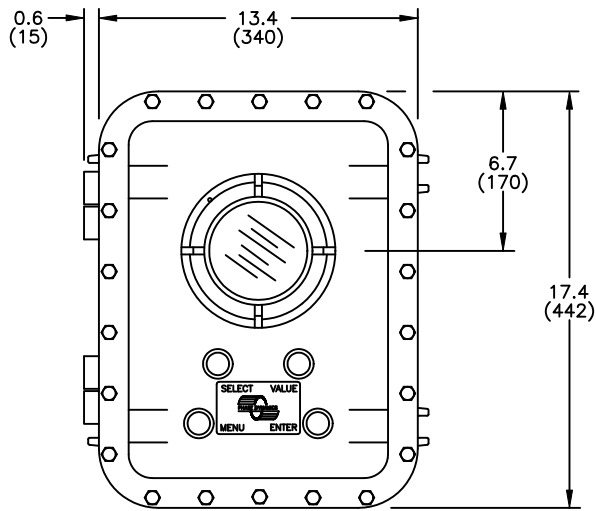
- 1. MOUNT ENCLOSURE WITH .375 DIA (10mm) BOLTS.
- 2. WEIGHT: 59 LBS. (27kg)
- 3. OBJECTS CLOSER THAN 3.3 INCHES MAY PREVENT COVER OPENING FULL 90°.
- 4. ALL DIMENSIONS ARE GIVEN IN INCHES. MILLIMETER DIMENSIONS SHOWN IN ( )



BOTTOM VIEW

C

C



B

B

A

A

4

3

2

1

		PHASE DYNAMICS, INC	
		RICHARDSON, TEXAS	
TITLE			
INSTALLATION - ATEX 6 HOLE EXPLOSION PROOF ENCLOSURE			
SIZE	DWG NO.	DATE	
C	0070-00241-000	05/27/05	
REV	A	© PHASE DYNAMICS, INC.	

L