

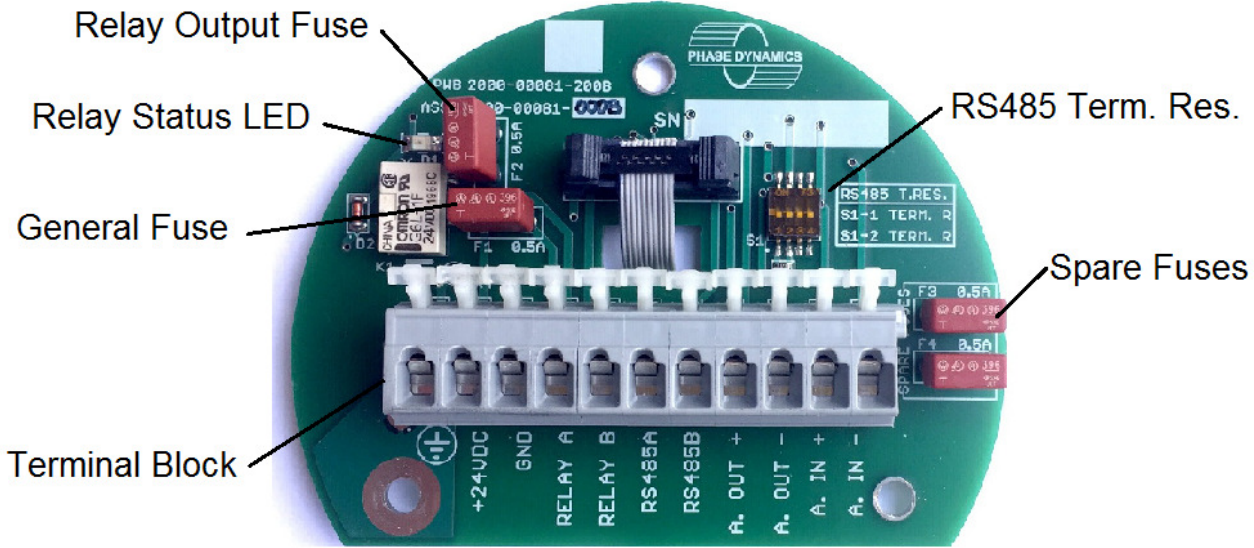


RAZOR WIRING GUIDE

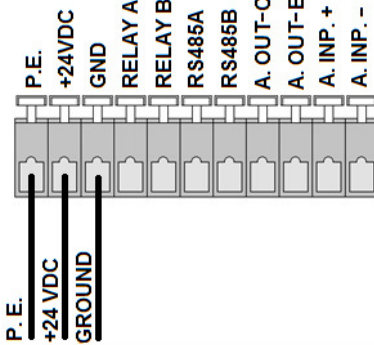
Document Number 0066-00005-000

1251 Columbia Dr.
Richardson, TX 75081
Phone: 972 680 1550
FAX: 972 680 3262

CONNECTION BOARD DESCRIPTION



Power Wiring

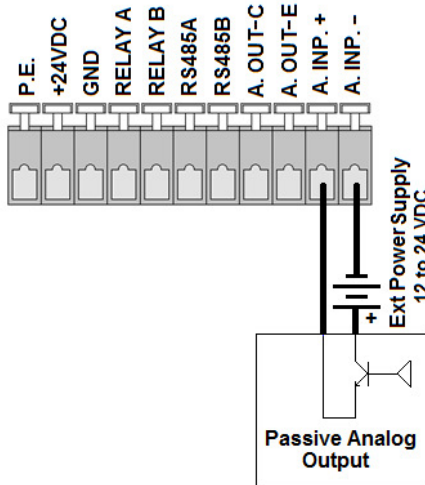


Voltage Requirement: 24 VDC (18-28 VDC)
 Power Requirement: 5 Watts typical, 10 Watts Maximum
 Terminal Block accepts wires from 12 to 28 AWG gauge
 Power Input is internally Fused (F1 - 0.5A)

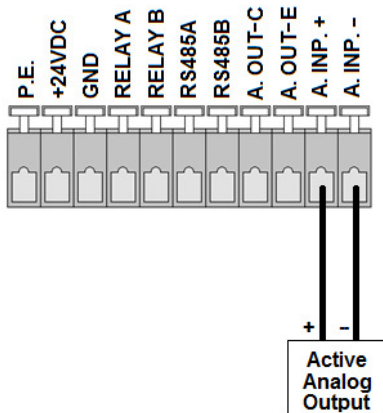
IMPORTANT: An uninterrupted earth wire must be connected to the P.E. terminal to prevent electric shock hazard.

Analog Input Wiring

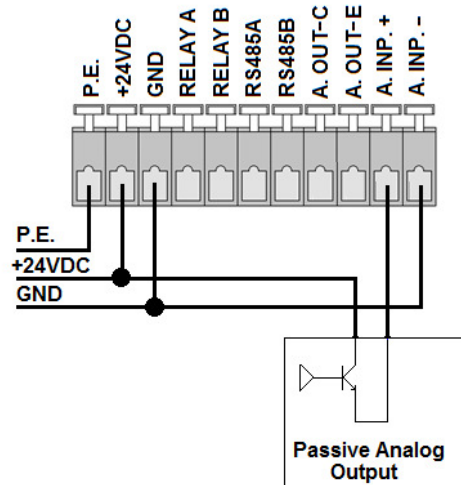
Razor' A.I. to Loop Powered A.O.



Razor's A.I. to Active A.O.

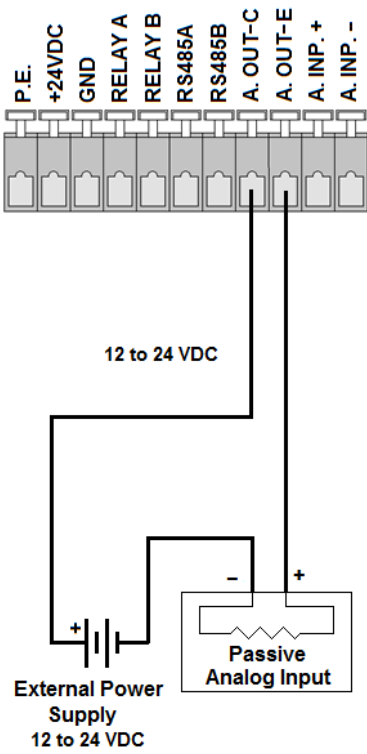


Razor's A.I. to Loop Powered AO (Using Razor's Power)

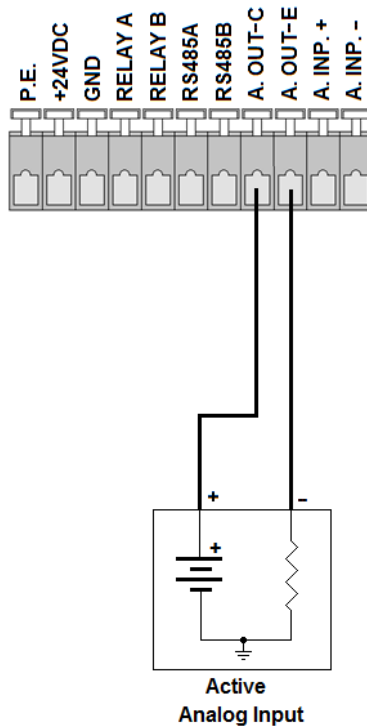


Analog Output Wiring

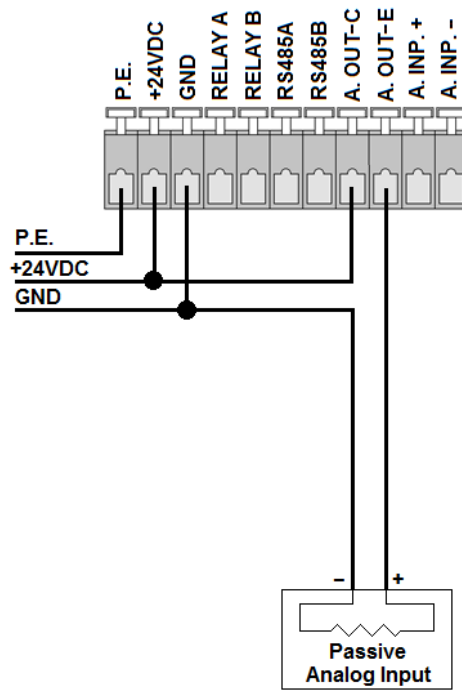
Razor's A.O. to Passive A.I.



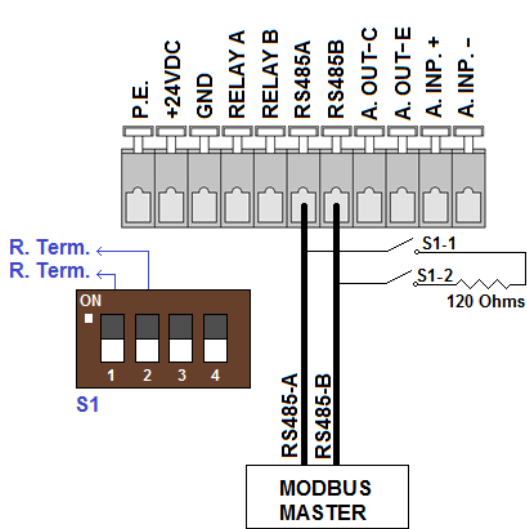
Razor's A.O. to Active A.I.



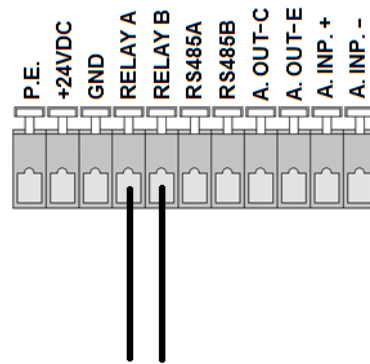
**Razor's A.O. to Passive A.I.
(Using Razor's Power)**



RS485 Wiring



Relay Wiring



Relay Contact is Normal Open and internally Fused (F2-0.5 A).
Maximum Rating 24 VDC, 0.5 Amps