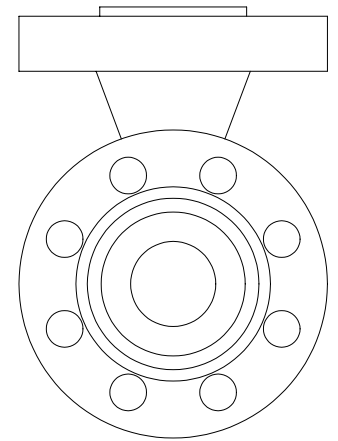
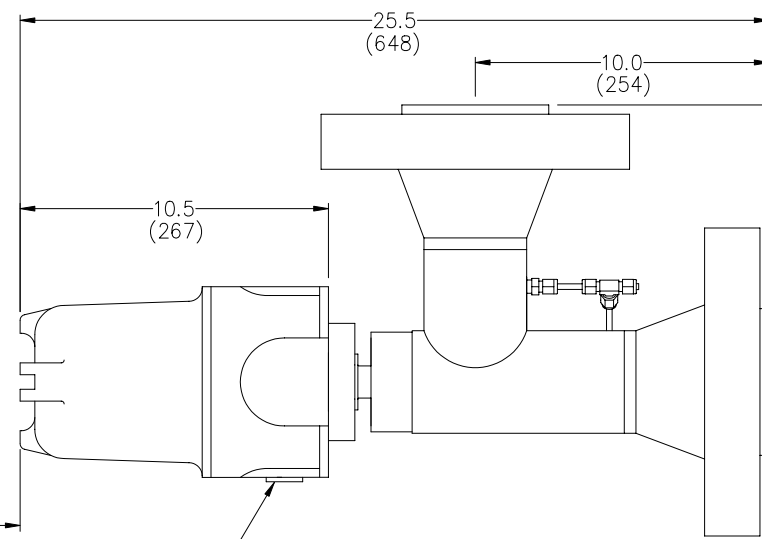
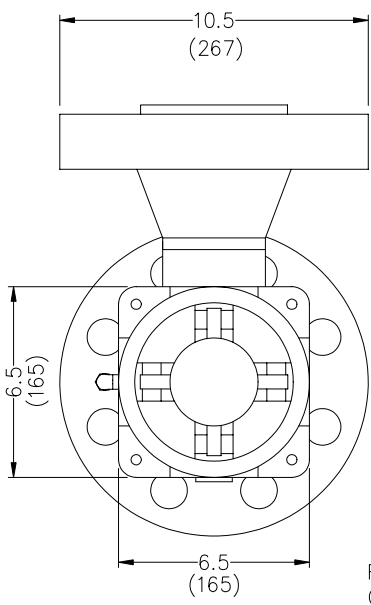
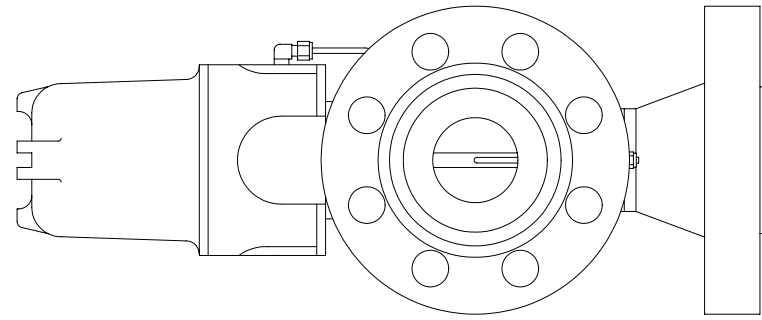


REV	DATE	ECO	COMMENTS
A	06/04/03	169	ADD METRIC UNITS
B	12/04/03	178	WT WAS: 120 (55kg), WAS: 25.6 (650) LONG




18 (457)  
RECOMMENDED MINIMUM  
CLEARANCE FOR ACCESS

0.75-14 NPT  
REDUCING BUSHING (SUPPLIED)

NOTES:

- 1 WEIGHT: 128 LBS (58kg)
- 2 ALL DIMENSIONS GIVEN IN INCHES  
MILLIMETER DIMENSIONS SHOWN IN ( )

		<b>PHASE DYNAMICS, INC</b> RICHARDSON, TEXAS	
TITLE			
INSTALLATION 3 INCH L CONFIG CLASS 1500 RTJ FLANGE			
SIZE	DWG. NO.	DATE	
B	0070-00177-000	12/14/00	
REV	B		© PHASE DYNAMICS, INC.