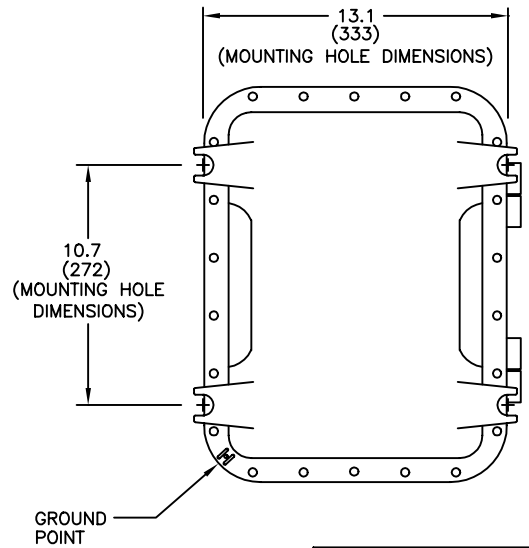
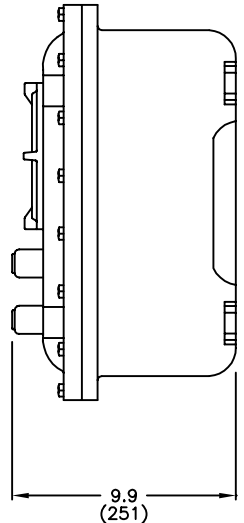
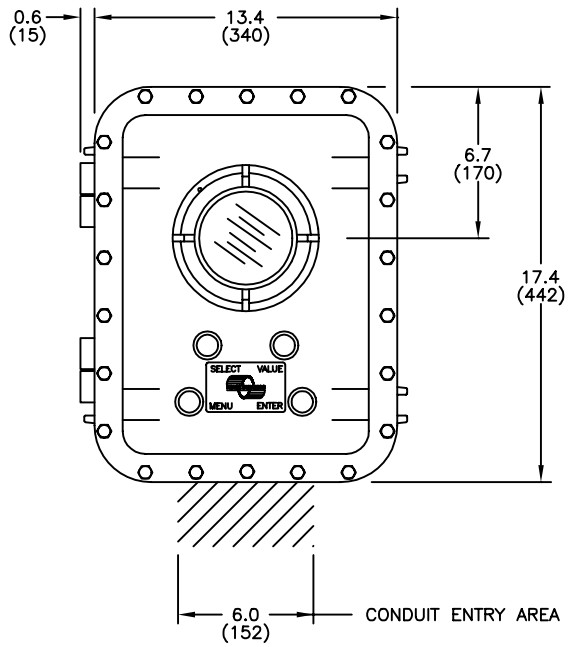



NOTES:

1. MOUNT ENCLOSURE WITH .375 DIA (10mm) BOLTS.
2. WEIGHT: 59 LBS. (27kg)
3. THREE HOLES LOCATED IN CONDUIT ENTRY AREA ARE DRILLED AND TAPPED 3/4-14 NPT.
4. OBJECTS CLOSER THAN 3.3 INCHES MAY PREVENT COVER OPENING FULL 90°.
5. ALL DIMENSIONS ARE GIVEN IN INCHES. MILLIMETER DIMENSIONS SHOWN IN ()



 PHASE DYNAMICS, INC RICHARDSON, TEXAS		
TITLE INSTALLATION - CENELEC EXPLOSION PROOF ENCLOSURE		
SIZE C	DRW NO. 0070-00175-001	DATE 09/29/04
REV © PHASE DYNAMICS, INC.		