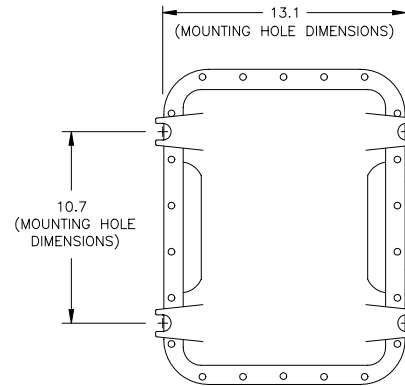
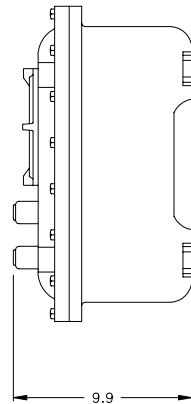
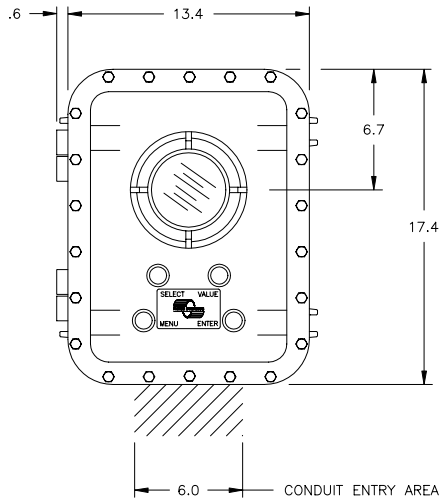
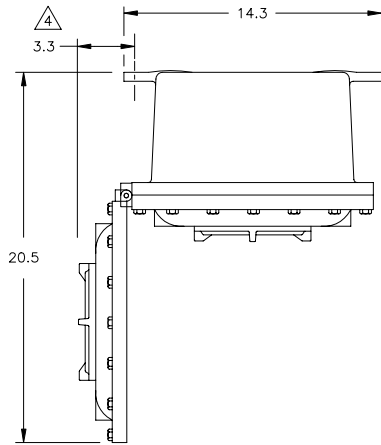


REV	DATE	ECO	COMMENTS
A	11/06/91	2	ADDED 1 CONDUIT ENTRY HOLE

NOTES:

1. MOUNT ENCLOSURE WITH .375 DIA BOLTS.
2. WEIGHT: 59 LBS.
3. THREE HOLES LOCATED IN CONDUIT ENTRY AREA ARE DRILLED AND TAPPED .750-14 NPT.
4. OBJECTS CLOSER THAN 3.3 INCHES MAY PREVENT COVER OPENING FULL 90°.
5. ALL DIMENSIONS ARE GIVEN IN INCHES.



**PHASE DYNAMICS, INC**  
RICHARDSON, TEXAS

TITLE: **INSTALLATION - EXPLOSION PROOF ENCLOSURE**

SIZE	ENG. NO.	DATE
C	0070-00026-000	08/10/91
REV	© PHASE DYNAMICS, INC.	
A		