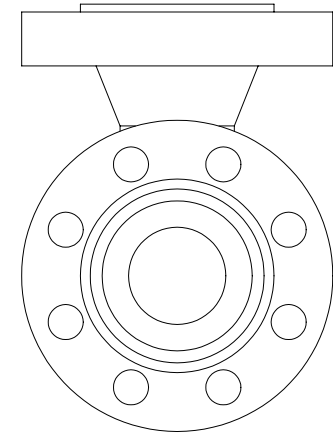
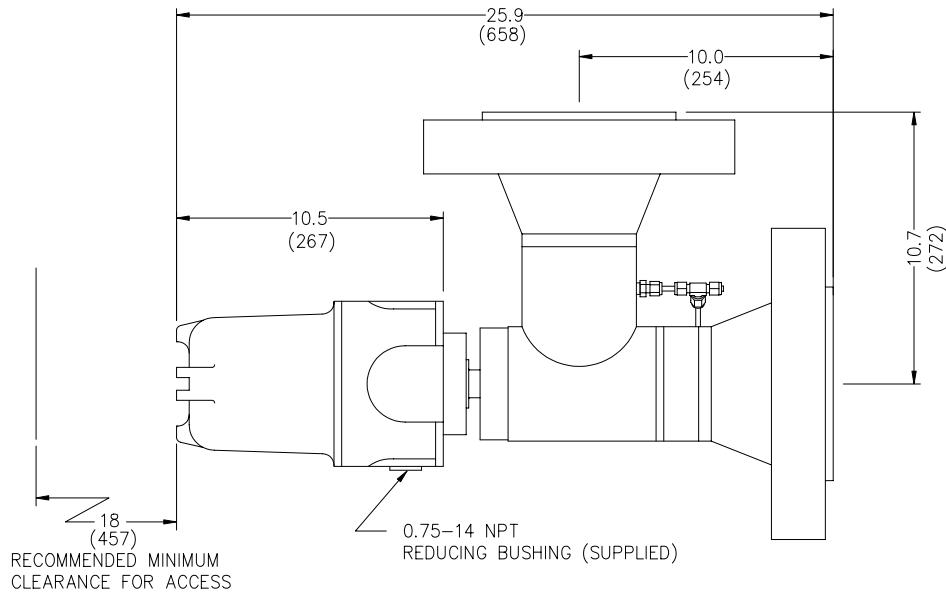
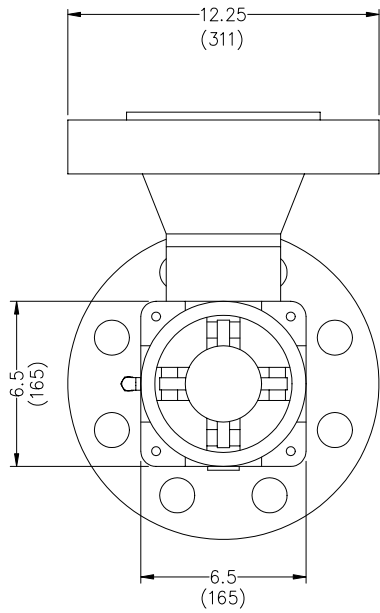
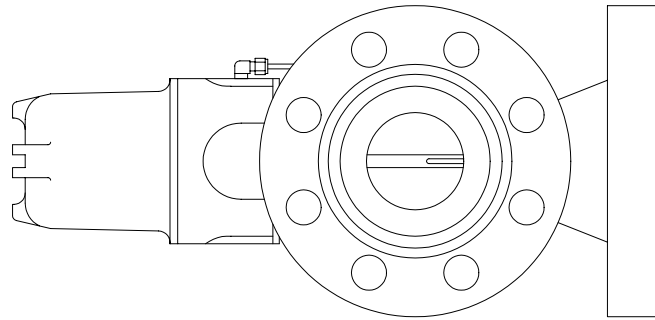



REV	DATE	ECO	COMMENTS
A	06/04/03	169	ADD METRIC UNITS
B	12/04/03	178	WEIGHT WAS: 170 (77kg), WAS 26.1 (663) LONG



NOTES:  
 1 WEIGHT: 178 LBS (81kg)  
 2 ALL DIMENSIONS GIVEN IN INCHES  
 MILLIMETER DIMENSIONS SHOWN IN ( )

 <b>PHASE DYNAMICS, INC</b> RICHARDSON, TEXAS		
TITLE INSTALLATION, 4 INCH L CONFIG CLASS 1500 RTJ FLANGE		
SIZE	DWG NO.	DATE
C	0070-00165-000	12/09/99
REV	© PHASE DYNAMICS, INC.	
B		