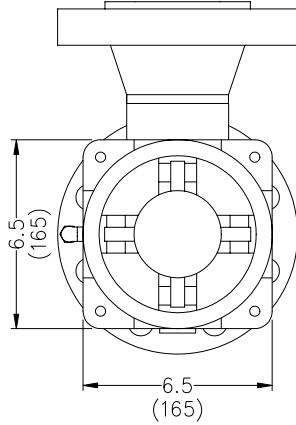
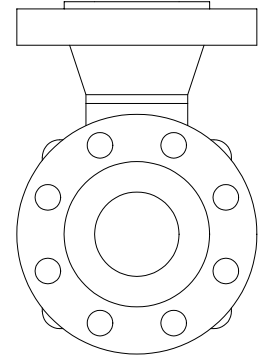
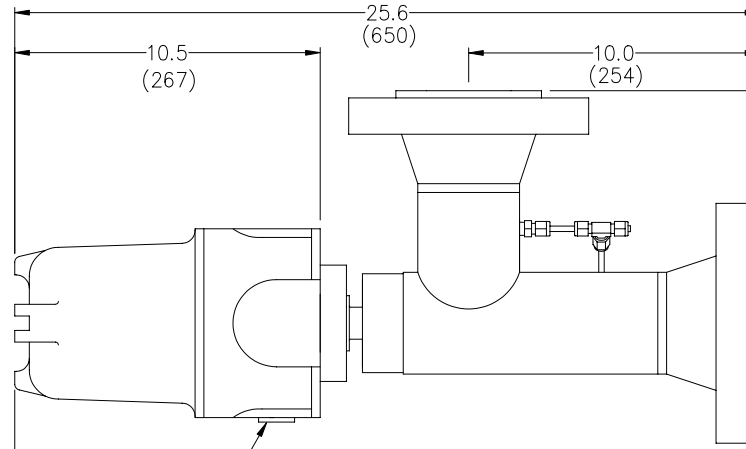
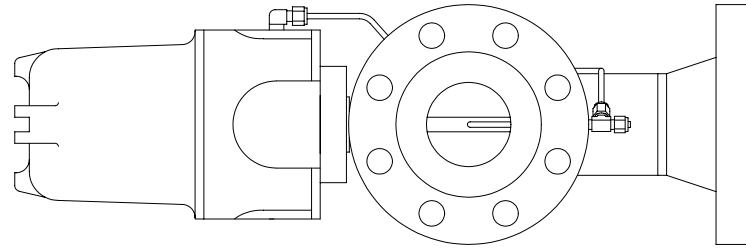



REV	DATE	ECO	COMMENTS
A	06/04/03	169	ADD METRIC UNITS



18 (457)
RECOMMENDED MINIMUM
CLEARANCE FOR ACCESS

0.75-14 NPT
REDUCING BUSHING (SUPPLIED)

- NOTES:
- 1 WEIGHT: 60 LBS (27kg)
 - 2 ALL DIMENSIONS GIVEN IN INCHES
MILLIMETER DIMENSIONS SHOWN IN ()

 PHASE DYNAMICS, INC RICHARDSON, TEXAS		
TITLE		
INSTALLATION 3 INCH L CONFIG CLASS 600 RF FLANGE		
SIZE	DWG. NO.	DATE
B	0070-00143-000	02/03/99
REV	© PHASE DYNAMICS, INC.	
A		