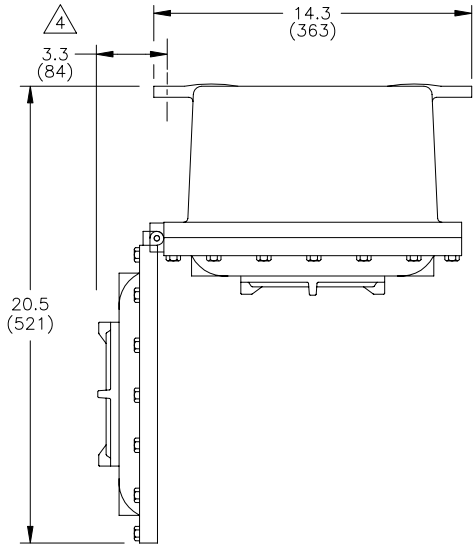
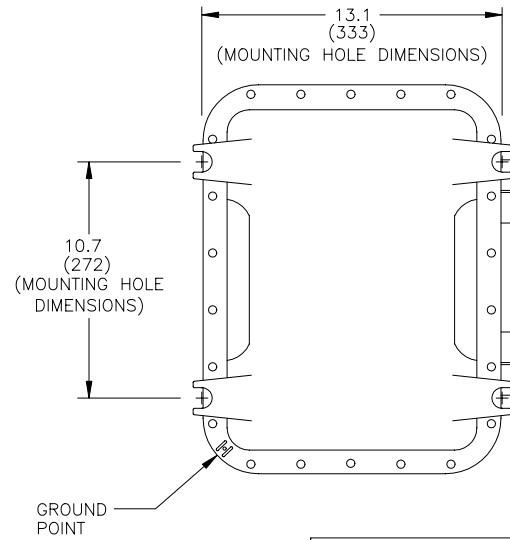
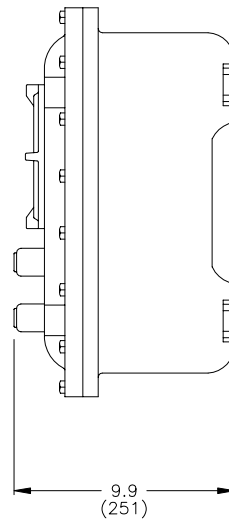
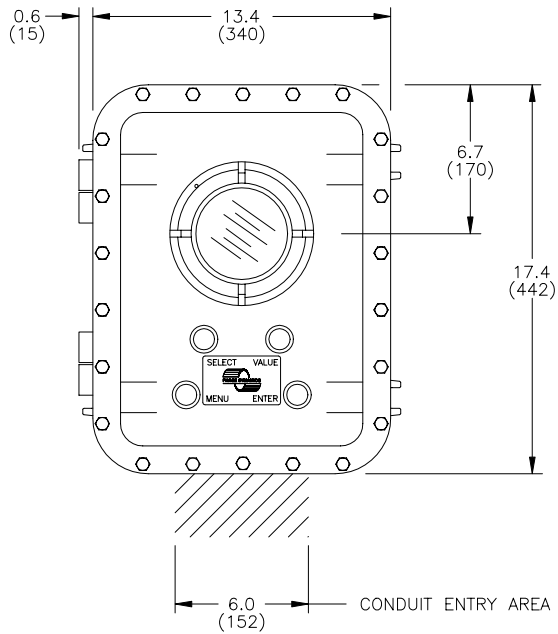



REV	DATE	ECO	COMMENTS
A	06/04/03	169	ADD METRIC UNITS



NOTES:

1. MOUNT ENCLOSURE WITH .375 DIA (10mm) BOLTS.
2. WEIGHT: 59 LBS. (27kg)
3. THREE HOLES LOCATED IN CONDUIT ENTRY AREA ARE DRILLED AND TAPPED M20 x 1.5P 6H.
4. OBJECTS CLOSER THAN 3.3 INCHES MAY PREVENT COVER OPENING FULL 90°.
5. ALL DIMENSIONS ARE GIVEN IN INCHES. MILLIMETER DIMENSIONS SHOWN IN ( )



 <b>PHASE DYNAMICS, INC</b> RICHARDSON, TEXAS			
TITLE			
INSTALLATION - CENELEC EXPLOSION PROOF ENCLOSURE			
SIZE	DWG NO.	DATE	
C	0070-00175-000	08/25/00	
REV	© PHASE DYNAMICS, INC.		
A			