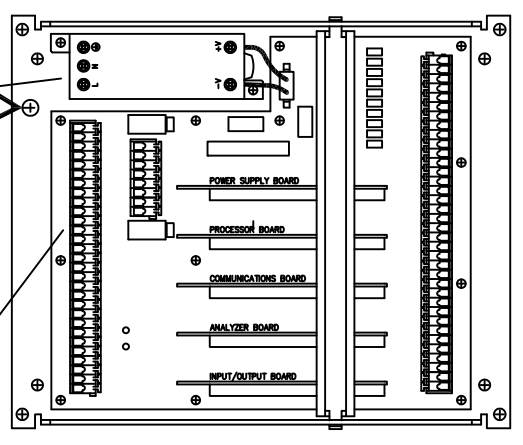
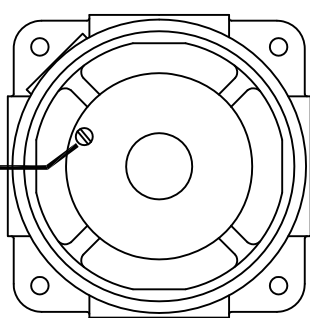


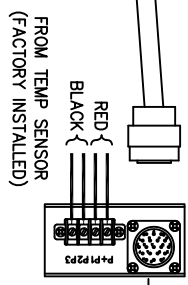
ELECTRONICS UNIT



MEASUREMENT SECTION ENCLOSURE



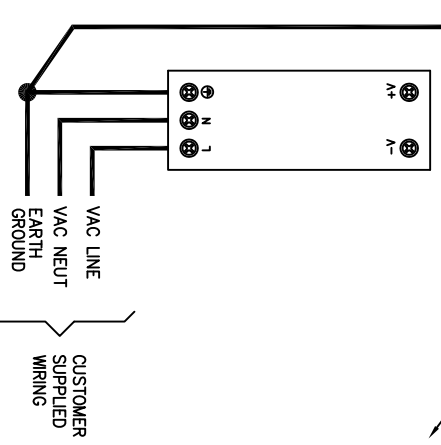
SYSTEM CABLE (MAX LENGTH 150 FT)
 PROPRIETARY CABLE SUPPLIED BY
 PHASE DYNAMICS.
 APPROX: 1/2 INCH DIAMETER
 INSTALL IN 3/4 INCH CONDUIT



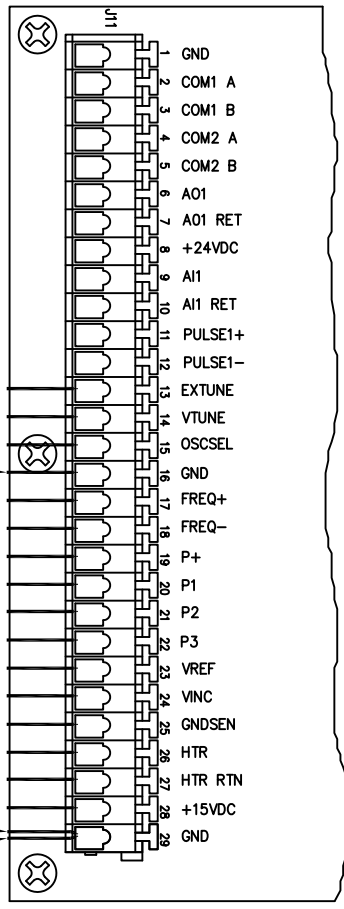
OSCILLATOR MODULE
 (PART OF MEASUREMENT SECTION)

REV	DATE	ECO	COMMENTS
A	05/10/07	193	ADD SYSTEM CABLE INFORMATION
B	08/02/11	237	ADD WIRE TO MEASUREMENT SECTION ENCL.
C	10/16/12	259	ADD J11 DETAIL
D	02/02/17	324	J12->J11; J11->J3; ADD GND TO J11, 5V TO J3

CIRC. CONN. PIN	WIRE COLOR	FUNCTION
A	BLACK	GROUND
B	RED	+15V
C	ORANGE	HEATER
D	YELLOW	OSC. SELECT
E	GREEN	V INC.
F	BLUE	V REF.
G	WHITE	PROBE 1
H	GREY	PROBE 2
J	VIOLET	PROBE 3
K	BROWN	GROUND SENSE
L	WHITE/RED	FREQ. +
M	WHITE/ORANGE	FREQ. -
N	WHITE/YELLOW	SPARE
P	WHITE/YELLOW	EXT. TUNE
R	WHITE/GREEN	V TUNE
S	WHITE/BROWN	PROBE +
T	WHITE/BLUE	SPARE
U	WHITE/GREY	SPARE
V	WHITE/BLACK	HTR RTN



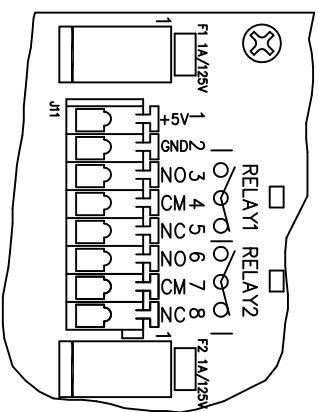
CUSTOMER SUPPLIED WIRING



WIRES NOT USED (CUT SHORT):
 WHITE/BLUE
 WHITE/VIOLET
 WHITE/GREY
 DRAIN WIRE FROM
 WHITE/VIOLET-WHITE/GREY PAIR

SYSTEM CABLE WIRES

BLACK
 DRAIN WIRE FROM
 BROWN-WHITE/GREEN PAIR



PHASE DYNAMICS, INC
 RICHARDSON, TEXAS

WIRING DIAGRAM
 ANALYZER 100-240 VAC

DATE: 08/05/05
 REV: D
 0070-00245-000 | © PHASE DYNAMICS, INC.