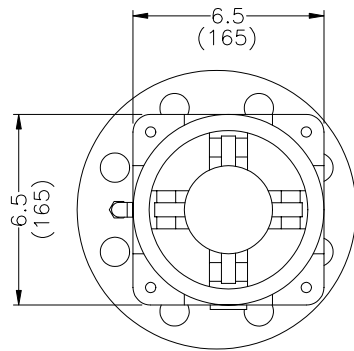
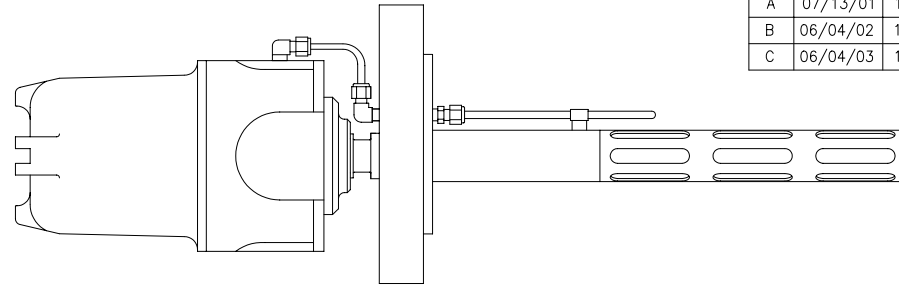


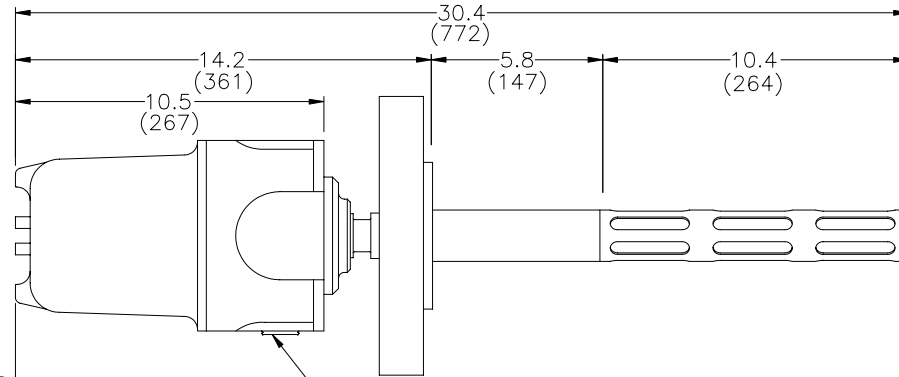
DWG NO. 0070-00172-000 REV C SH 1/1

REV	DATE	ECO	COMMENTS
A	07/13/01	144	DIMS 14.2, 5.8, 30.4 WERE 14.1, 5.9, 30.5
B	06/04/02	156	CHANGED GROUND CAGE
C	06/04/03	169	ADD METRIC UNITS

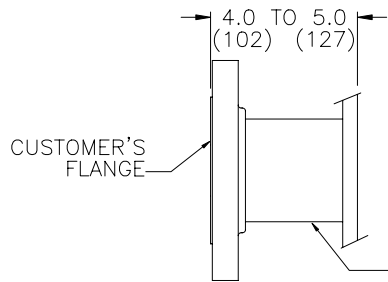
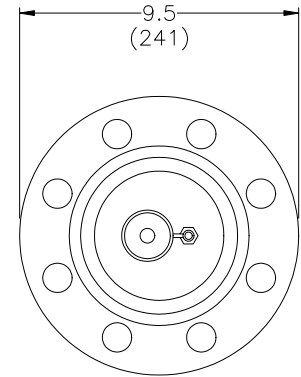


RECOMMENDED MINIMUM CLEARANCE FOR ACCESS

18 (457)



0.75-14 NPT REDUCING BUSHING (SUPPLIED)




RECOMMENDED CUSTOMER INSTALLATION

SCHEDULE 40 OR SCHEDULE 80 PIPE

NOTES:

- 1 FLANGE IS 3 INCH, 316L STAINLESS ANSI 900 RTJ
- 2 RECOMMEND CUSTOMER INSTALL FLANGE FROM 4.0 TO 5.0 INCHES FROM VESSEL INTERNAL WALL. (NOTE UNIT LENGTH)
- 3 WEIGHT: 66 LBS (30kg)
- 4 ALL DIMENSIONS GIVEN IN INCHES MILLIMETER DIMENSIONS SHOWN IN ()

 PHASE DYNAMICS, INC RICHARDSON, TEXAS	
TITLE	
INSTALLATION, 3" 900# RTJ INSERTION TYPE, 10 INCH CAGE	
SIZE	DWG NO.
B	0070-00172-000
REV	DATE
C	05/22/00
© PHASE DYNAMICS, INC.	