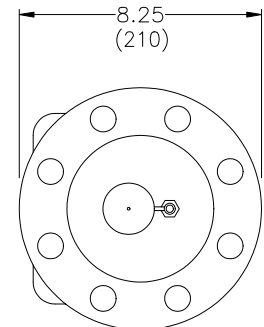
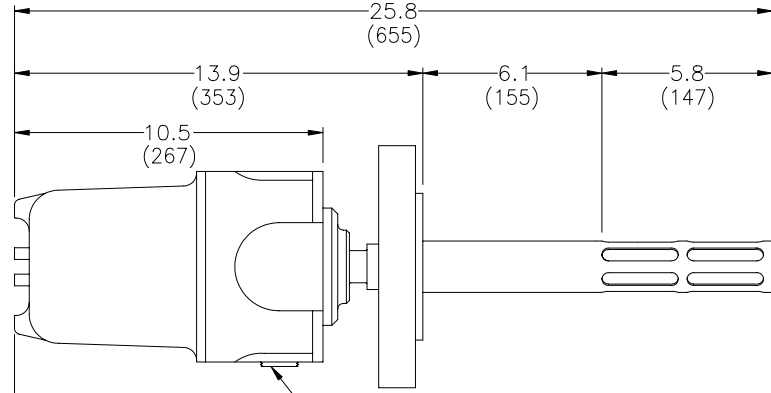
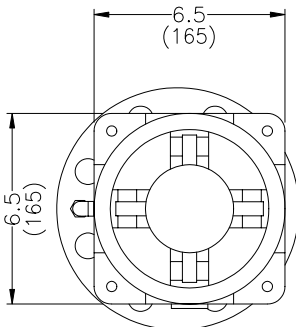
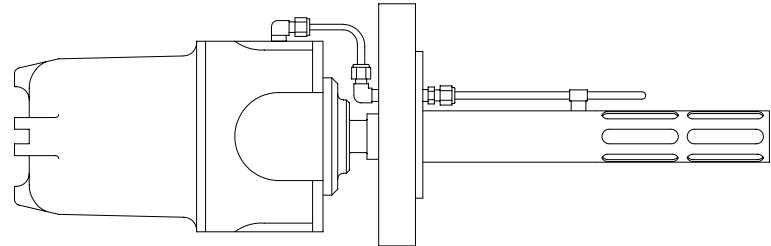


DWG NO. 0070-00118-000 REV A SH 1/1

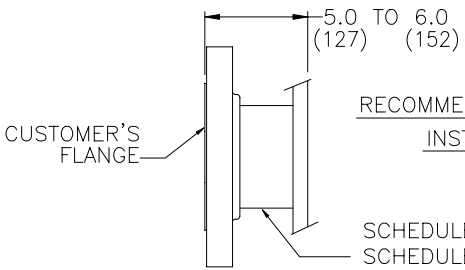
REV	DATE	ECO	COMMENTS
A	06/04/03	169	ADD METRIC UNITS



18 (457)

RECOMMENDED MINIMUM CLEARANCE FOR ACCESS

0.75-14 NPT REDUCING BUSHING (SUPPLIED)




RECOMMENDED CUSTOMER INSTALLATION

SCHEDULE 40 OR SCHEDULE 80 PIPE

NOTES:

- 1 FLANGE IS 3 INCH, 316L STAINLESS RAISED FACE ANSI 600
- 2 RECOMMEND CUSTOMER INSTALL FLANGE FROM 5.0 TO 6.0 INCHES FROM VESSEL INTERNAL WALL. (NOTE UNIT LENGTH)
- 3 WEIGHT: 38 LBS (17kg)
- 4 ALL DIMENSIONS GIVEN IN INCHES MILLIMETER DIMENSIONS SHOWN IN ()

 PHASE DYNAMICS, INC RICHARDSON, TEXAS	
TITLE 3 INCH 600# INSERTION TYPE TEMP PROBE, 6 INCH CAGE	
SIZE B	DWG NO. 0070-00118-000
REV A	DATE 10/06/97
© PHASE DYNAMICS, INC.	