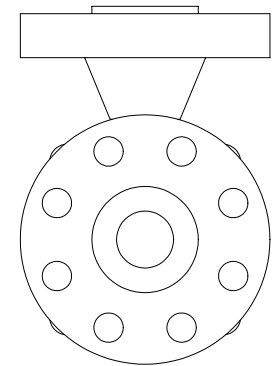
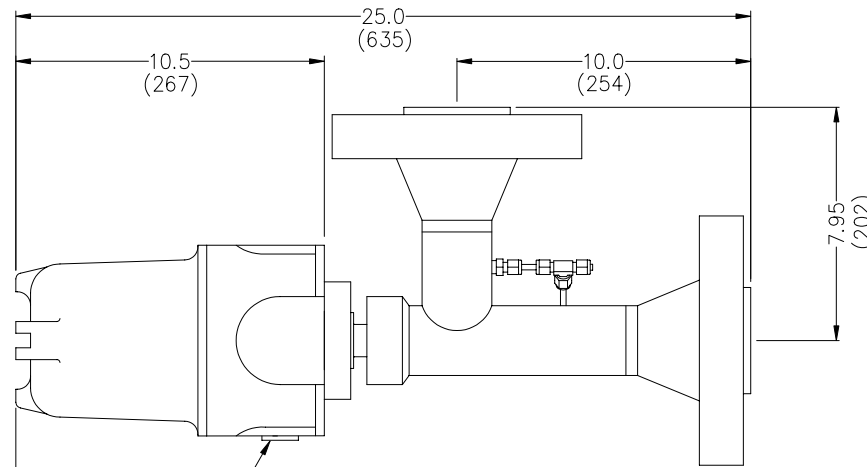
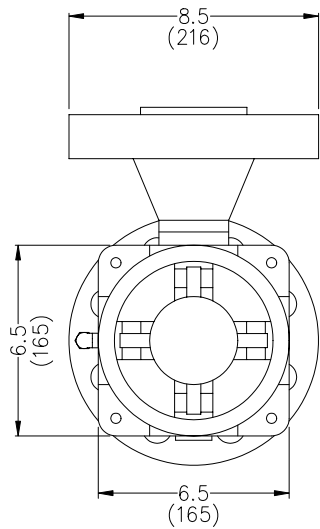
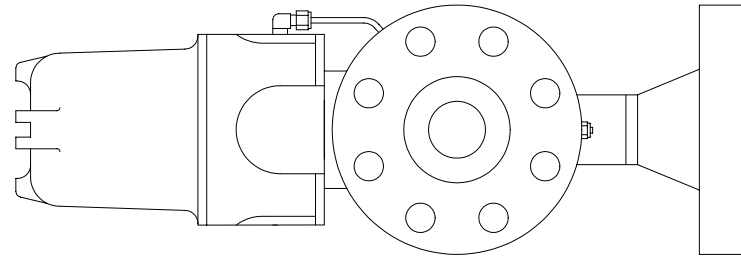


REV	DATE	ECO	COMMENTS
A	06/04/03	169	ADD METRIC UNITS




18 (457)  
RECOMMENDED MINIMUM  
CLEARANCE FOR ACCESS

0.75-14 NPT  
REDUCING BUSHING (SUPPLIED)

NOTES:

- 1 WEIGHT: 72 LBS (33kg)
- 2 ALL DIMENSIONS GIVEN IN INCHES  
MILLIMETER DIMENSIONS SHOWN IN ( )

 <b>PHASE DYNAMICS, INC</b> RICHARDSON, TEXAS		
TITLE		
<b>INSTALLATION 2 INCH "L" CONFIG          CLASS 900/1500 FLANGE</b>		
SIZE	DWG. NO.	DATE
B	0070-00171-000	03/14/00
REV	© PHASE DYNAMICS, INC.	
A		