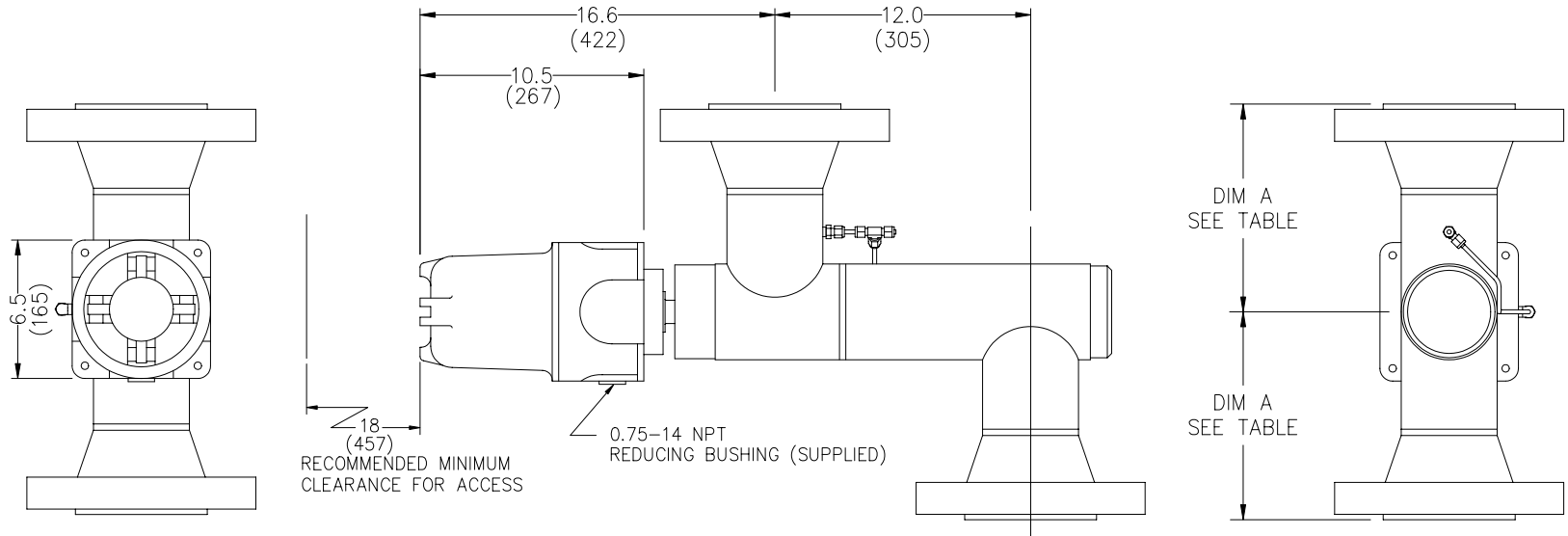
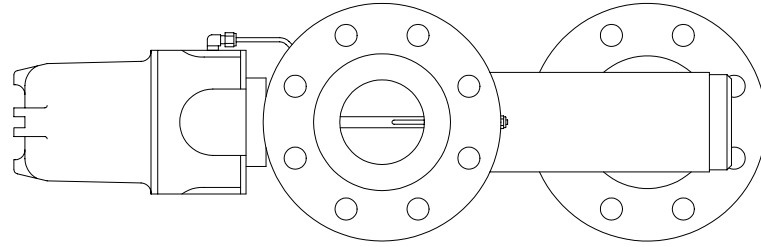



REV	DATE	ECO	COMMENTS
A	06/04/03	169	ADD METRIC UNITS
B	12/04/03	178	REMOVE 1500 FLANGE



RECOMMENDED MINIMUM CLEARANCE FOR ACCESS

FLANGE SIZE	DIMENSION "A"	WEIGHT (LBS) (KG)	
ANSI 150	8.50 (216)	89	40
ANSI 300	8.88 (226)	109	50
ANSI 600	9.75 (248)	130	59
ANSI 900	10.25 (260)	158	72

NOTES:
1. ALL DIMENSIONS GIVEN IN INCHES
MILLIMETER DIMENSIONS SHOWN IN ()

 PHASE DYNAMICS, INC RICHARDSON, TEXAS	
TITLE INSTALLATION, 4 INCH Z CONFIG RAISED FACE FLANGES	
SIZE C	DWG NO. 0070-00160-000 DATE 07/16/99
REV B	© PHASE DYNAMICS, INC.