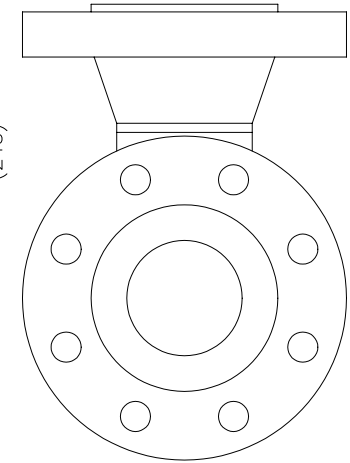
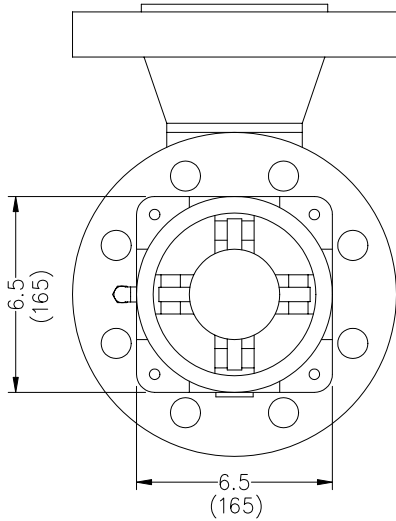
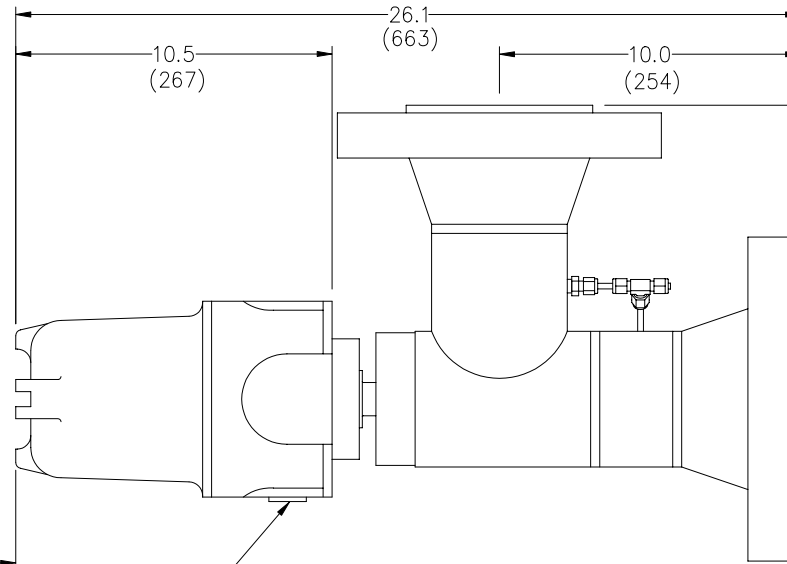
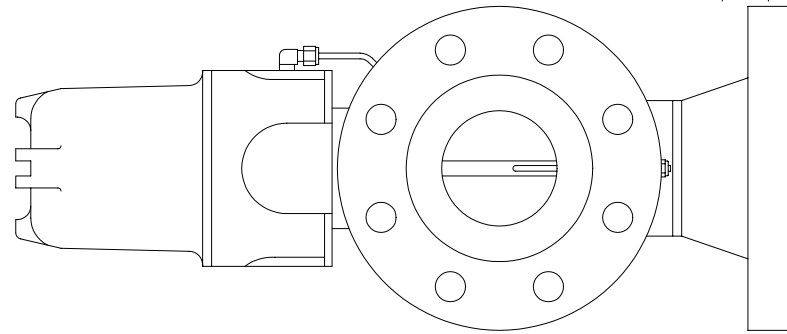



REV	DATE	ECO	COMMENTS
A	06/04/03	169	ADD METRIC UNITS



18
(457)
RECOMMENDED MINIMUM
CLEARANCE FOR ACCESS

0.75-14 NPT
REDUCING BUSHING (SUPPLIED)

- NOTES:
 1 WEIGHT: 108 LBS (49kg)
 2 ALL DIMENSIONS GIVEN IN INCHES
 MILLIMETER DIMENSIONS SHOWN IN ()

 PHASE DYNAMICS, INC RICHARDSON, TEXAS		
TITLE		
INSTALLATION 4 INCH L CONFIG CLASS 600 RF FLANGE		
SIZE	DWG NO.	DATE
C	0070-00146-000	02/08/99
REV	© PHASE DYNAMICS, INC.	
A		