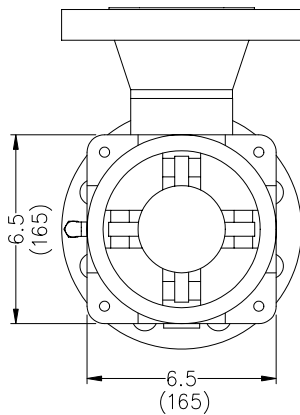
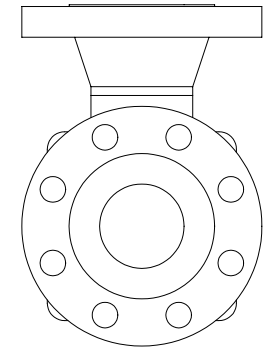
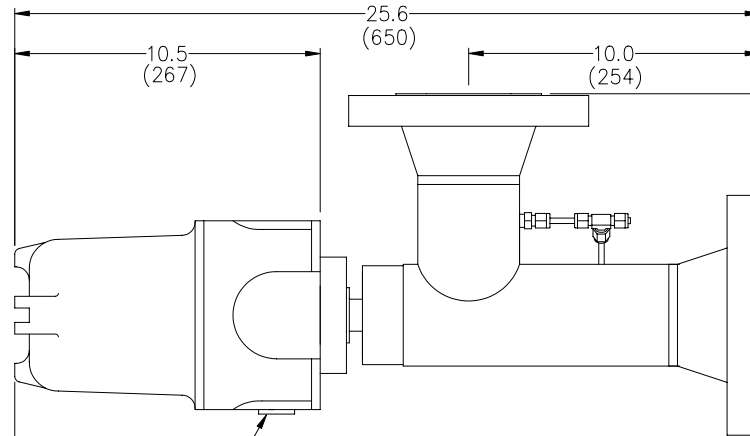
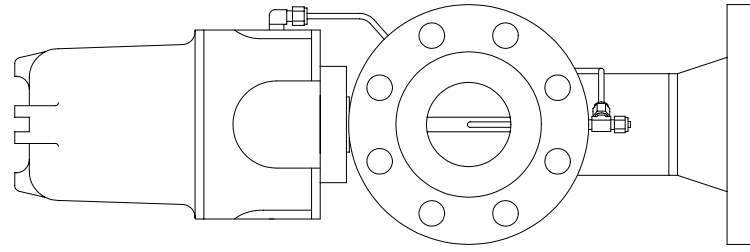



REV	DATE	ECO	COMMENTS
A	06/04/03	169	ADD METRIC UNITS



18 (457)
RECOMMENDED MINIMUM
CLEARANCE FOR ACCESS

0.75-14 NPT
REDUCING BUSHING (SUPPLIED)

- NOTES:
- 1 WEIGHT: 60 LBS (27kg)
 - 2 ALL DIMENSIONS GIVEN IN INCHES
MILLIMETER DIMENSIONS SHOWN IN ()

		PHASE DYNAMICS, INC RICHARDSON, TEXAS	
TITLE INSTALLATION 3 INCH L CONFIG CLASS 300 RF FLANGE			
SIZE B	DWG NO. 0070-00142-000	DATE 02/03/99	
REV A	© PHASE DYNAMICS, INC.		