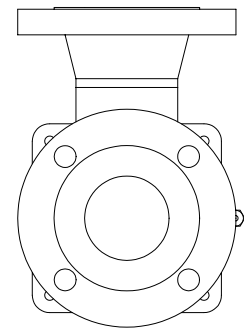
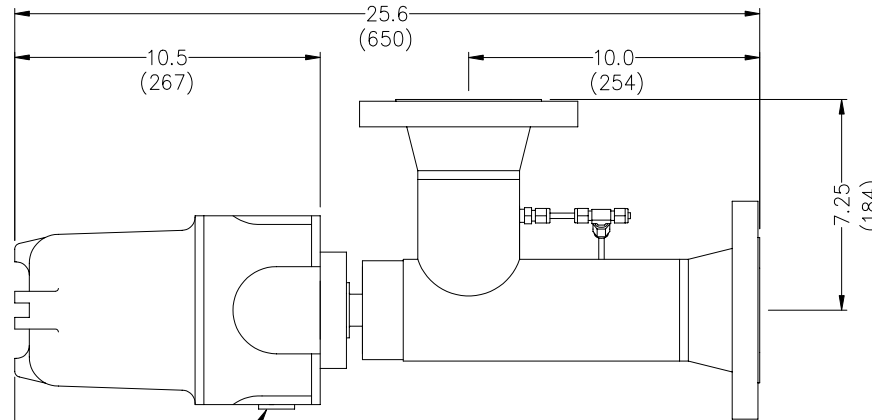
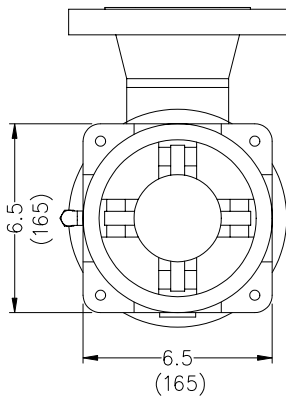
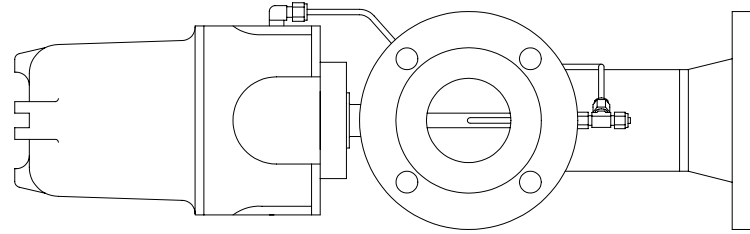



REV	DATE	ECO	COMMENTS
A	06/04/03	169	ADD METRIC UNITS



18 (457)  
RECOMMENDED MINIMUM CLEARANCE FOR ACCESS

0.75-14 NPT REDUCING BUSHING (SUPPLIED)

- NOTES:
- 1 WEIGHT: 52 LBS (24kg)
  - 2 ALL DIMENSIONS GIVEN IN INCHES  
MILLIMETER DIMENSIONS SHOWN IN ( )

		<b>PHASE DYNAMICS, INC</b> RICHARDSON, TEXAS	
TITLE <b>INSTALLATION 3 INCH L CONFIG          CLASS 150 RF FLANGE</b>			
SIZE B	DWG NO. 0070-00141-000	DATE 02/02/99	
REV A	© PHASE DYNAMICS, INC.		