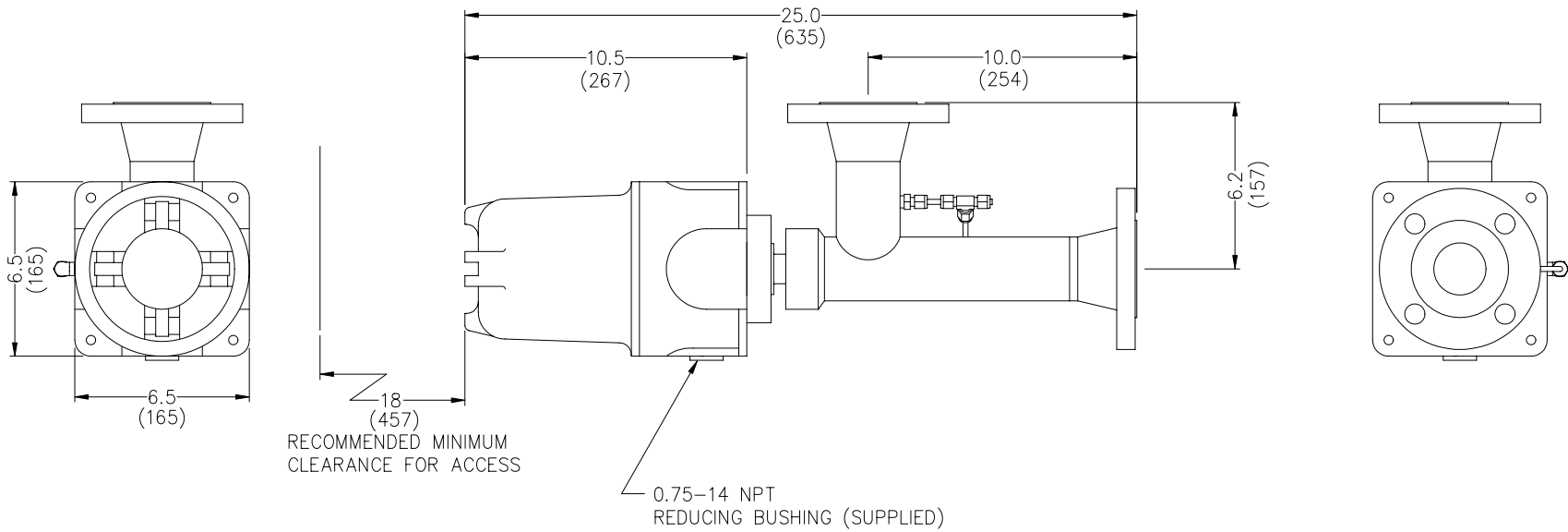
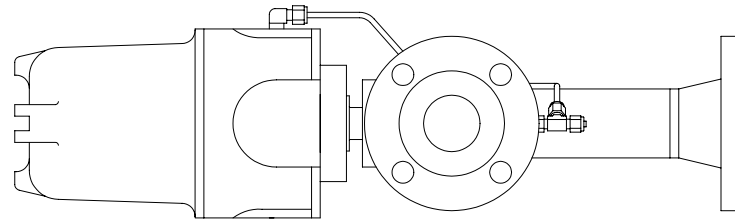



REV	DATE	ECO	COMMENTS
A	06/04/03	169	ADD METRIC UNITS



NOTES:

- 1 WEIGHT: 36 LBS (16kg)
- 2 ALL DIMENSIONS GIVEN IN INCHES  
MILLIMETER DIMENSIONS SHOWN IN ( )

 <b>PHASE DYNAMICS, INC</b> RICHARDSON, TEXAS		TITLE	
		2 INCH L CONFIG CLASS 150 RF FLANGE	
SIZE	DWG. NO.	DATE	
B	0070-00139-000	01/20/99	
REV	© PHASE DYNAMICS, INC.		
A			