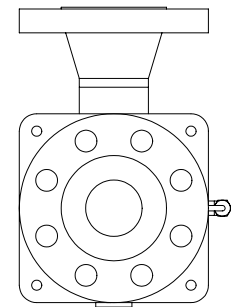
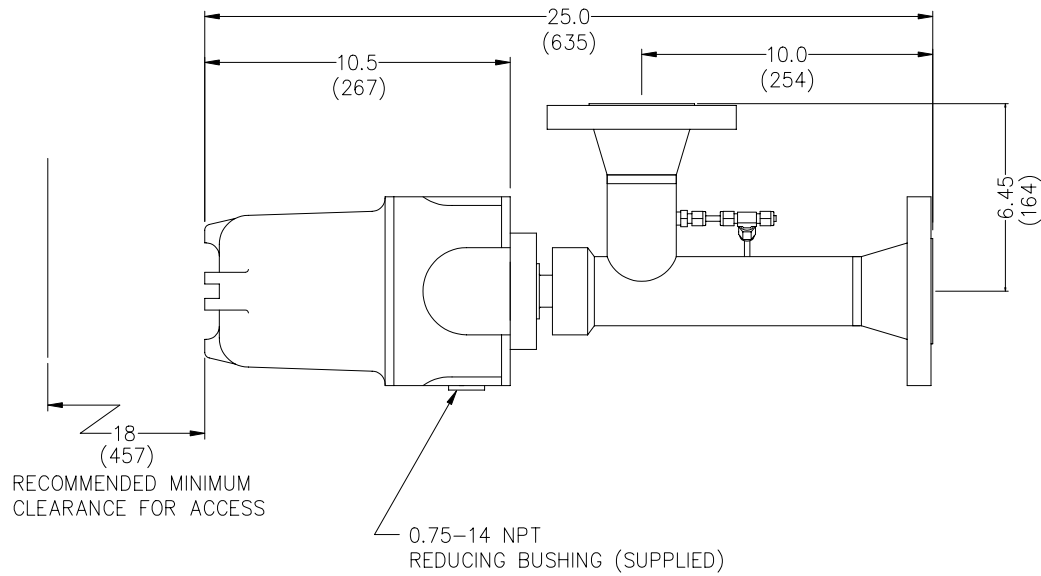
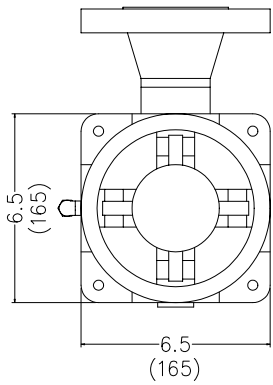
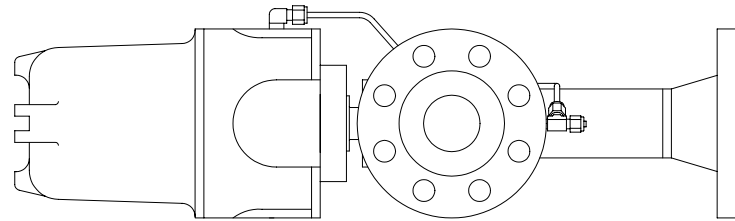



REV	DATE	ECO	COMMENTS
A	06/04/03	169	ADD METRIC UNITS



NOTES:

- 1 WEIGHT: 40 LBS (18kg)
- 2 ALL DIMENSIONS GIVEN IN INCHES
MILLIMETER DIMENSIONS SHOWN IN ()

		PHASE DYNAMICS, INC RICHARDSON, TEXAS	
TITLE			
INSTALLATION 2 INCH "L" CONFIG CLASS 300 FLANGE			
SIZE	DWG. NO.	DATE	
B	0070-00136-000	11/02/98	
REV	© PHASE DYNAMICS, INC.		
A			