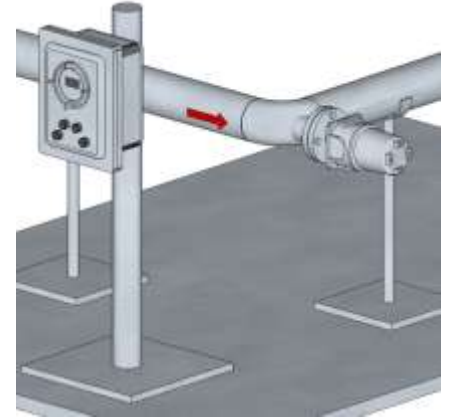
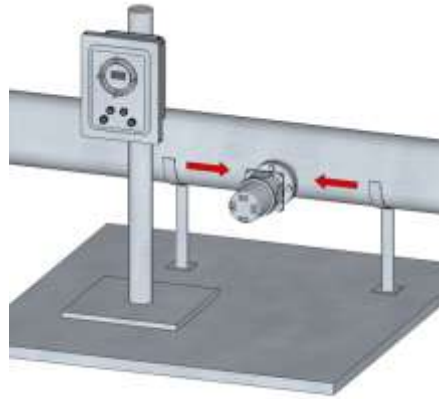
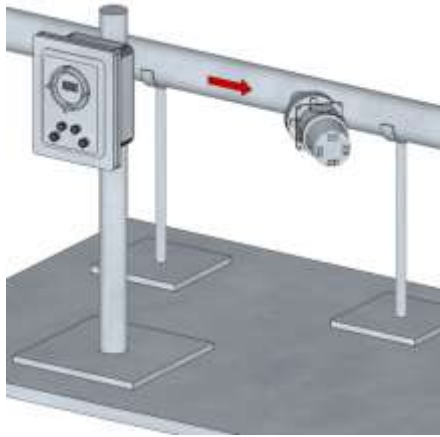




# RECOMMENDED INSTALLATIONS

The Phase Dynamics Analyzer is independent of the flow direction but for mechanical reasons the preferred flow direction is indicated by a red arrow in all the drawings below. The distance between the face of the mounting flange and the internal wall of the pipe has to be always 6" or less.

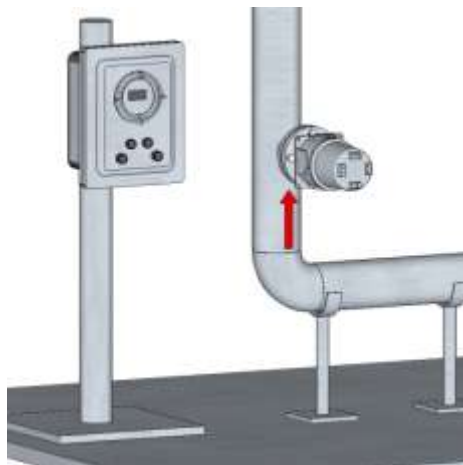
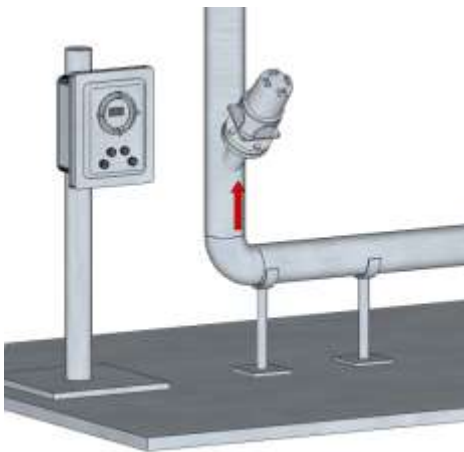
## INSERTION ANALYZERS



Mounted at 45° on a horizontal plane on pipes 6" or larger for Low Range Analyzers. 10" or larger for Full Range Analyzers.

Mounted at 90° on a horizontal plane on pipes 8" or larger for Low Range Analyzers. 12" or larger for Full Range Analyzers.

Mounted at an elbow on pipes 6" and larger.

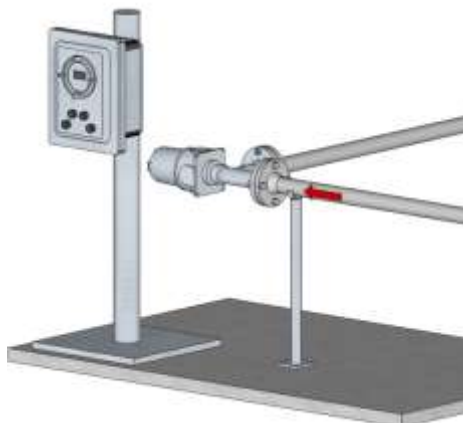
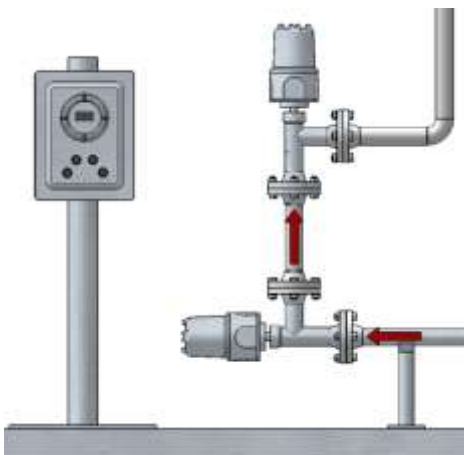


Mounted on a vertical line at 45°.

Mounted on a vertical line at 90°

**NEVER MOUNT ON A VERTICAL PLANE**

## "L" TYPE ANALYZERS

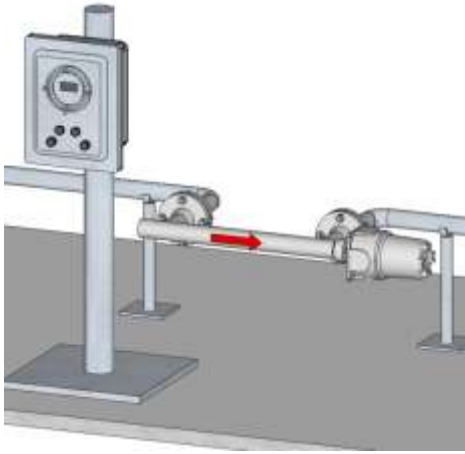


The horizontal installations are acceptable if the flow speed is higher than 2 feet per second.

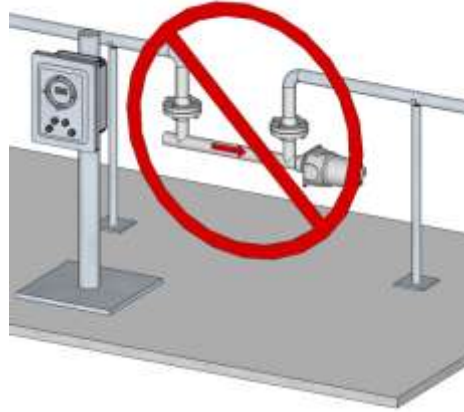
Mounted on a horizontal plane is acceptable if a full pipe condition is guaranteed at all times.

**AVOID THESE CONFIGURATIONS.** The one on the top is a gas trap and the one on the bottom is a water trap.

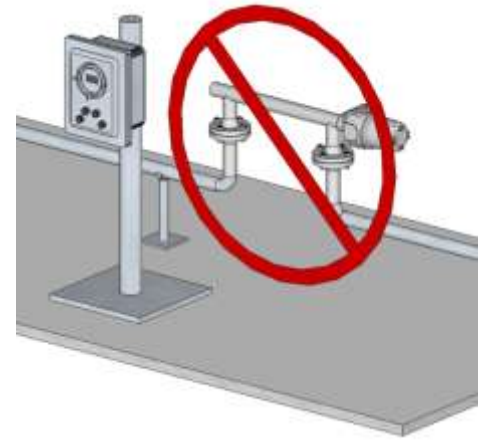
"U" TYPE ANALYZERS (SAME CONSIDERATIONS APPLY TO "L" TYPE ANALYZERS)



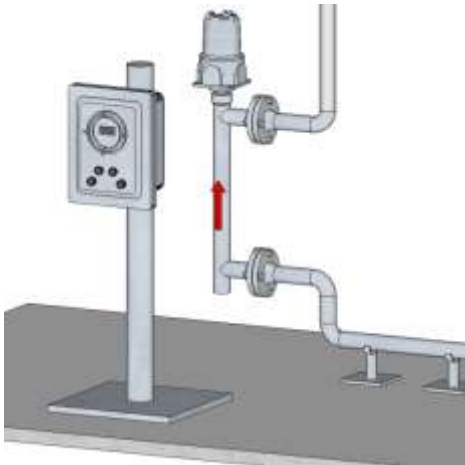
The horizontal installations are acceptable if the flow speed is greater than 2 feet per second.



NEVER USE THIS "WATER TRAP" CONFIGURATION



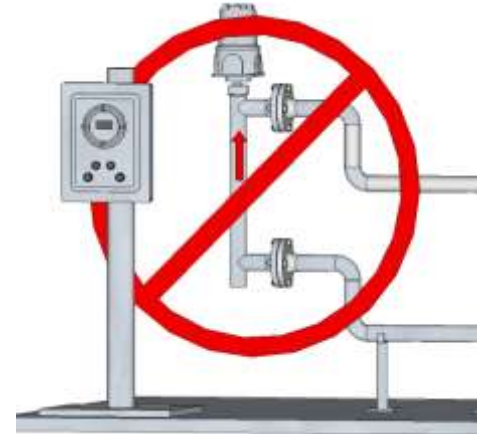
NEVER USE THIS "GAS TRAP" CONFIGURATION



The flow can be downwards if a full pipe condition is guaranteed at all times.

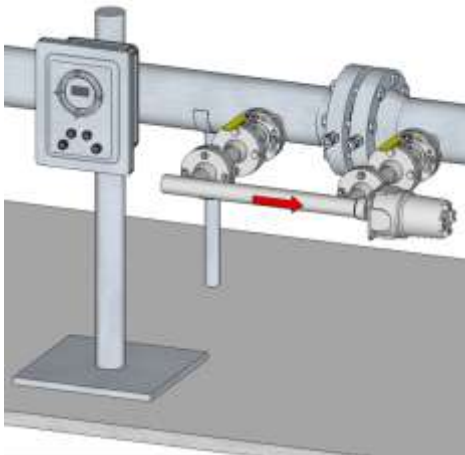


NEVER USE THIS "WATER TRAP" CONFIGURATION

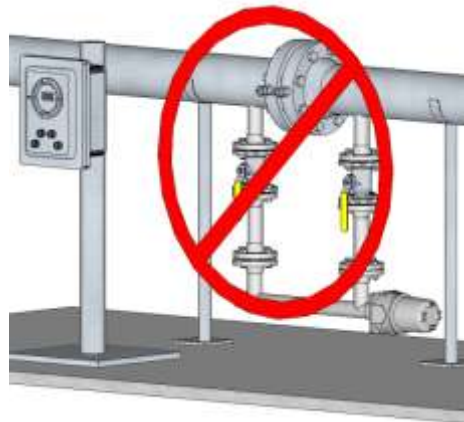


NEVER USE THIS "GAS TRAP" CONFIGURATION

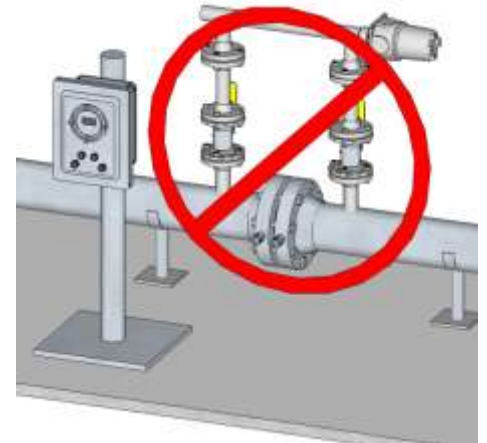
BYPASS INSTALLATIONS



Bypass installations are used in lines 6" or larger. A pressure drop has to be created to ensure flow through the analyzer. (e.g. a orifice plate).



NEVER USE THIS "WATER TRAP" CONFIGURATION



NEVER USE THIS "GAS TRAP" CONFIGURATION